

alber

Simply mobile.



# e-motion®

Power assist for wheelchairs



Power at your hands.



## Push more easily.

► e-motion merges active mobility with therapeutic benefit. Even wheelchair drivers with impaired strength can move around independently with the help of e-motion.

Users have a chance to stay mobile while exercising their vital functions. The load on muscles and joints is relieved. Only minimal force is required to drive the chair alone and the driver's radius of action is increased. e-motion makes an important contribution to its owner's independence.



If you have any questions or would like a free, no obligation demonstration, call us on freephone **0800 220975**

## An excellent choice.

► The modern drive concept, based on a powerful electric motor and ultra long-lasting lithium-ion batteries, have already earned e-motion M15 the title "Focus Green 2008", an international design award presented by the South-West German region of Baden Württemberg.





## A manual wheelchair with extra thrust.

► Thanks to the gearless drive technology and the exceptionally low noise level, you can get to where you want to discreetly and quietly. e-motion has electric motors integrated in the wheel hubs to support the wheelchair driver's pushing force. Each pulse on the push rim is detected by e-motion's intelligent sensors and converted to precisely the required degree of power assistance—a kind of power steering function for wheelchairs. With this extra thrust, even long distances, ramps or slopes can be overcome without having to rely on a helper. e-motion even lets you go downhill: its power assistance boosts the braking pulse, so that driving down a steep slope is not only safe but also a relaxing experience. The energy for this purpose is supplied by ultra high-power lithium-ion batteries, so that a wide radius of action and unprecedented durability are guaranteed.

## State-of-the-art battery technology.

► The lithium-ion batteries integrated in the wheels are a world premiere from Alber. They provide a significantly extended range and last much longer than conventional battery types. Maintenance free with no memory effect – enjoy the benefits of full battery power!



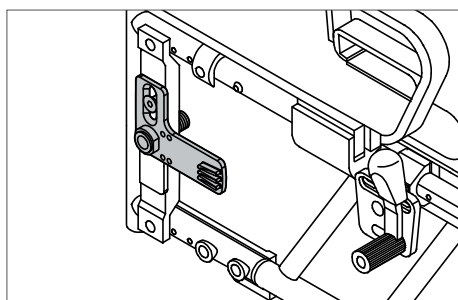


If you have any questions or would like a free, no obligation demonstration, call us on freephone **0800 220975**

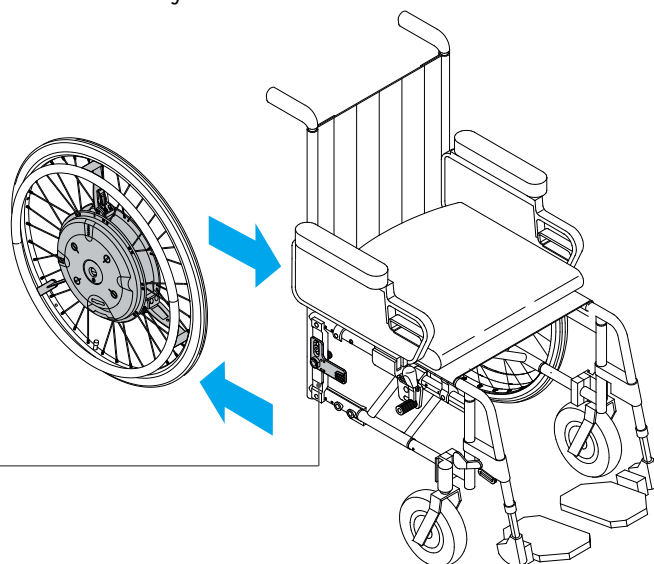
## Fits to your needs.

► e-motion fits most of the wheelchairs normally available on the market. The old wheelchair wheels can simply be exchanged for e-motion drive wheels. In virtually every case, your existing, individually adjusted wheelchair can thus continue to be used.

It takes just a few small brackets to fix the drive wheels to the frame of the chair. As a rule, the manually operated wheels can still be chosen as an alternative to the e-motion wheels. The desired method of motive power – manual or electrically assisted – is always available in other words.



Small bracket, fits most wheelchairs





## Ergonomic Control System [ECS]

**NEW**

- ▶ The new ECS combines therapeutic benefit with individual adjustment.

e-motion can be switched on and off from an upright sitting position using the remote control. In addition, two selectable power stages assure optimal driving convenience – precisely adapted to each user's personal mobility restriction and needs.

Wheelchair drivers will also appreciate the rollback delay which prevents the chair from rolling backwards down a slope and is an invaluable aid on steep hills. The high-contrast display shows the battery charge as well as various service and diagnostic codes. Thanks to the large buttons, all functions can be easily accessed even with restricted hand use. Numerous parameters, such as the assistance level or after-running of the motor, can be freely programmed with the ECS by your therapist or dealer according to your specific requirements.



Rollback delay



Remote control



Two assistance levels



Remote battery monitor



Self-diagnosis



Coded radio transmission



If you have any questions or would like a free, no obligation demonstration, call us on freephone **0800 220975**

## Ideal for out and about.

► Apart from its driving performance, e-motion also impresses with its handling convenience and easy transport. You benefit from a significantly extended radius of action that adds to the enjoyment of outings or holidays.

The e-motion wheels and their integrated batteries can be dismantled from the wheelchair and stowed away in the boot of a car in a matter of seconds. Alternatively, any folding wheelchair can still be folded even with e-motion attached, thus saving space. The battery charger supplied with e-motion adapts automatically to any mains voltage from 100 to 240 V – an immense advantage for all those who like to travel. If part of the journey involves flying, the batteries can also be disconnected from the wheel and carried separately.



Removing the e-motion wheel from the wheelchair



Automatic battery charger



e-motion – easy to dismantle, easy to transport

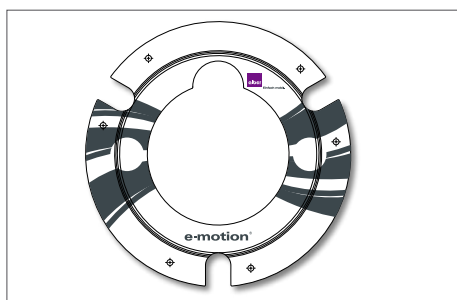


## Practical accessories.

- The functions of the standard e-motion model can be extended with useful accessories according to individual requirements.

Please feel free to try out e-motion free of charge and without any obligation in the comfort of your home.

Simply fill in the demonstration voucher on the back of this brochure and return it to us.



Spoke cover



Rubber-coated push rims for improved grip



Anti-tippers with jack-up function for easy removal of the wheel

# Your questions – Our answers:

## ► Can e-motion be fitted to my wheelchair?

*e-motion can be fitted to almost all conventional wheelchair models. A bracket is mounted on the wheelchair frame to support the e-motion wheels. The manual wheelchair wheels can still be used.*

## ► Which e-motion versions are available?

- Wheel sizes: 22" or 24"
- Push rims: stainless steel
- Tyres: pneumatic tyres (serial) or puncture-proof tyres

## ► What accessories are available for e-motion?

*Anti-Tippers, spoke cover, rubber-coated push rims, remote control holder, replacement battery pack, push rim covers*

## ► How far can I travel on a single battery charge?

*The drive engineering employed in e-motion means that the achievable range depends very heavily on the respective conditions of use. Indoor movement involving continuous use of motor power for starting, steering and braking reduces the range considerably more than consistent movement outdoors. A battery charge can be sufficient here for a distance of approximately 25 km under favourable conditions.*

## ► How fast is e-motion?

*e-motion does not have a definite maximum speed level. The speed achieved depends on the strength of the propelling movement, as is the case with manual wheelchairs. e-motion assists the propelling movement up to 6 km/h.*

## ► How heavy may a person using e-motion be?

*e-motion is designed for a maximum person weight of 286 lb/130 kg, regardless of the type of wheelchair used.*

## ► How much does e-motion weigh?

- 2 wheels (24 lb/11 kg each)



*Our claim to quality is your guarantee of safety!*

*Manufacturer: Ulrich Alber GmbH, Germany – certified as per DIN EN ISO 9001*

*Quality Assurance System for Medical products as per DIN EN 46001.*

## Weight information M15

max. user weight: 130 kg

max. total weight: 180 kg  
(incl. e-motion, wheelchair, wheelchair driver)



### Ulrich Alber GmbH

Vor dem Weißen Stein 21

72461 Albstadt

Germany

Telefon +49 (0)7432 2006-0

Telefax +49 (0)7432 2006-298

info@alber.de

www.alber.de